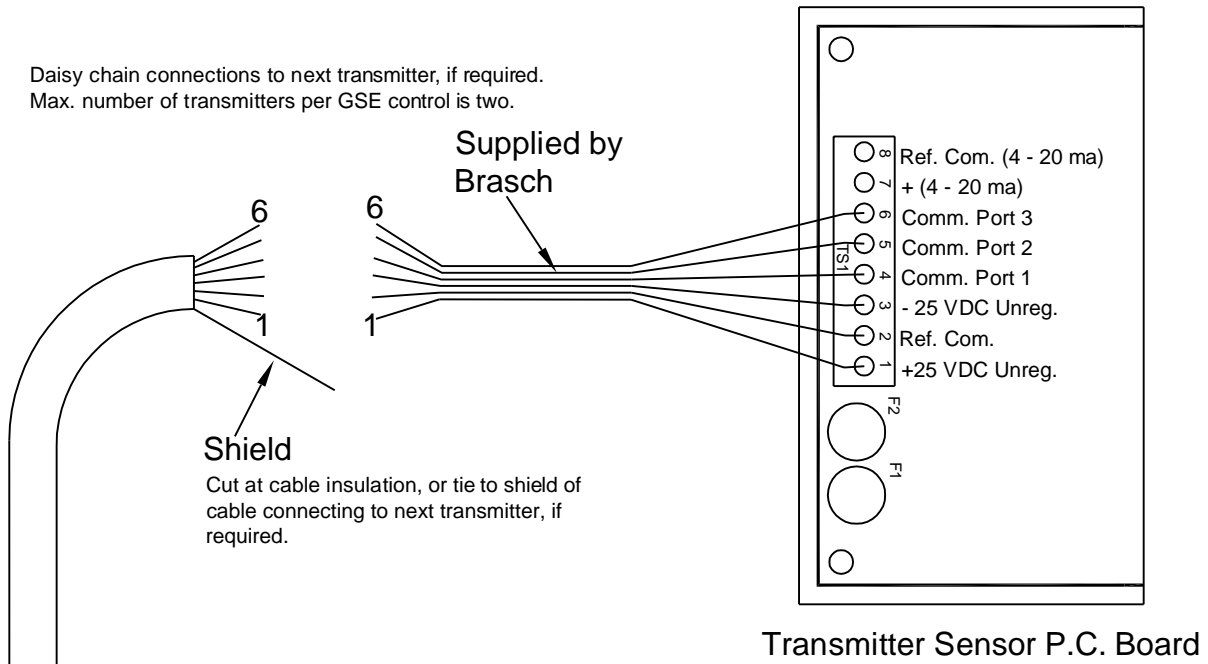


Typical GSE Transmitter Mounting Suggestion.

Daisy chain connections to next transmitter, if required.
 Max. number of transmitters per GSE control is two.

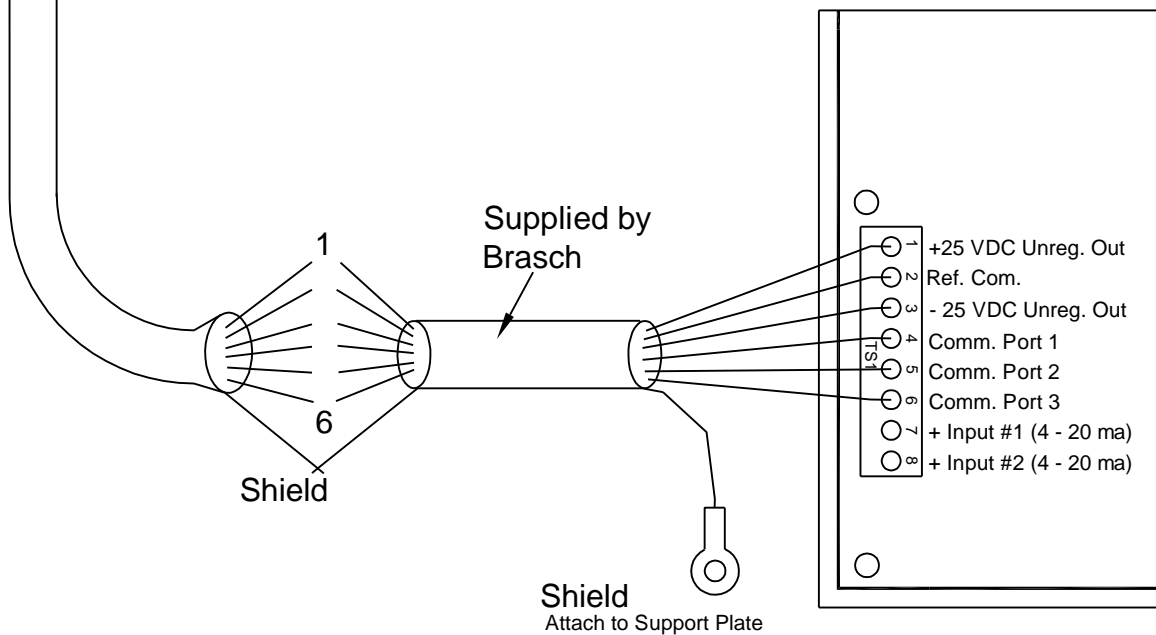


Transmitter Sensor P.C. Board

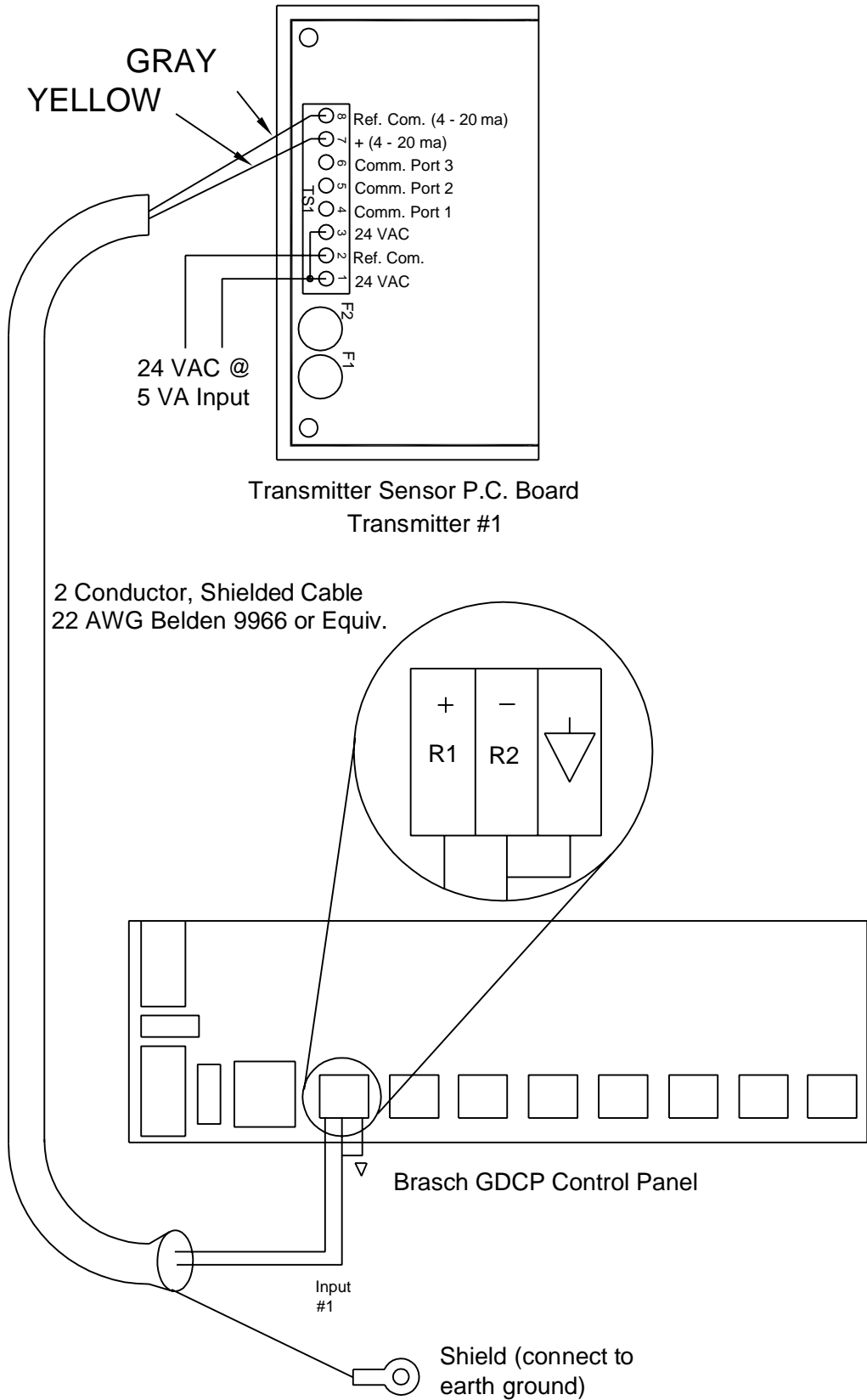
General Cable C3065, Alpha 58136, or equivalent
 Supplied by others.

COLOR	FUNCTION	TS1-
WHITE	Comm. Port 3	6
BLUE	Comm. Port 2	5
BROWN	Comm. Port 1	4
BLACK	- 25 VDC Unreg.	3
GREEN	Ref. Com.	2
RED	+25 VDC Unreg.	1

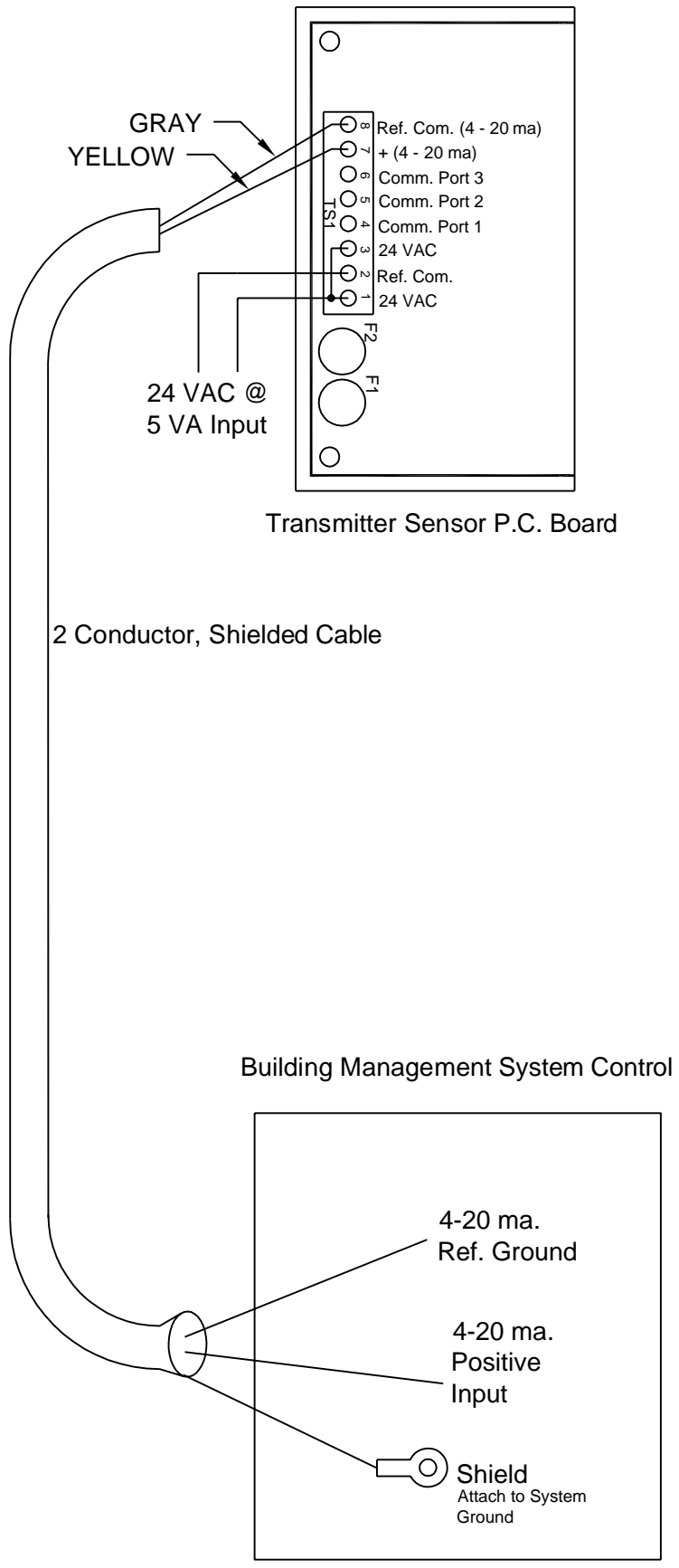
GSE Control Housing Main P.C. Board



Wiring, Brasch GSE Detector to Remote Transmitter



Wiring, Model GSE Transmitter to Model GDCP Control Panel.



Wiring, BMS Control to Remote Sensor Transmitter