

TABLE 1: SPECIFICATIONS


TAG NO.	QTY.	MODEL NO.†	ELECTRICAL (60Hz)									AIRFLOW				STANDARD CONTROL			RECOMMENDED MOUNTING HEIGHT		SHIPPING WEIGHT		SIZING OF FIELD SUPPLY WIRES
			HEATER						MOTOR††			CFM 70°F	OUTLET VEL FPM	TEMP RISE °F	111 THROW (FT)	CONTACTORS	TRANSFORMER	CONTROL VOLTS	HORIZONTAL DISCHARGE (FT)	VERTICAL DISCHARGE (FT)	LBS	GMS	COPPER AWG-MCM @ 60°C RATINGS
			KW	BTUH	VOLTS	PHASE	AMPS	STEPS	HP	AMPS													
		BTUH-3-2401	2.2/3.0	7506/10236	208/240	1	10.6/12.5	1	1/50	.5	315	785	22/30	18	0	NO	208/240	8	10	37	17	2-#12	
		BTUH-3-2771	3.0	10236	277	1	10.9	1	1/50	.3	315	785	30	18	0	NO	277	8	10	37	17	2-#14	
		BTUH-3-4803	3.0	10236	480	3	3.7	1	1/50	.3	315	785	30	18	0	YES	24	8	10	40	18	4-#14	
		BTUH-5-2401	3.7/5.0	12624/17060	208/240	1	17.8/20.9	1	1/50	.5	315	815	37/50	18	0	NO	208/240	8	10	37	17	2-#10	
		BTUH-5-2771	5.0	17060	277	1	18.1	1	1/50	.3	315	815	50	18	0	NO	277	8	10	37	17	2-#10	
		BTUH-5-2403	3.7/5.0	12624/17060	208/240	3	10.3/12.1	1	1/50	.5	315	815	37/50	18	1	YES	24	8	10	40	18	3-#12	
		BTUH-5-4803	5.0	17060	480	3	6.0	1	1/50	.3	315	815	50	18	1	YES	24	8	10	40	18	4-#14	
		BTUH-7.5-2401	5.6/7.5	19107/25590	208/240	1	27.0/31.3	1	1/25	.8	540	740	33/44	18	1	YES	24	8	10	42	19	2-# 8	
		BTUH-7.5-2771	7.5	25590	277	1	27.1	1	1/25	.5	540	740	44	18	1	YES	24	8	10	42	19	2-# 8	
		BTUH-7.5-2403	5.6/7.5	19107/25590	208/240	3	15.6/18.1	1	1/25	.8	540	740	33/44	18	1	YES	24	8	10	42	19	3-#10	
		BTUH-7.5-4803	7.5	25590	480	3	9.1	1	1/25	.5	540	740	44	18	1	YES	24	8	10	42	19	4-#14	
		BTUH-10-2401	7.5/10.0	25590/34120	208/240	1	36.1/41.7	1	1/15	1.1	715	980	33/44	21	1	YES	24	9	12	42	19	2-# 6	
		BTUH-10-2771	10.0	34120	277	1	36.1	1	1/15	.7	715	980	44	21	1	YES	24	9	12	42	19	2-# 6	
		BTUH-10-2403	7.5/10.0	25590/34120	208/240	3	20.9/24.1	1	1/15	1.1	715	980	33/44	21	1	YES	24	9	12	42	19	3-# 8	
		BTUH-10-4803	10.0	34120	480	3	12.1	1	1/15	.7	715	980	44	21	1	YES	24	9	12	42	19	4-#12	

NOTE: Specifications subject to change without notice.

†All units are optionally available with 2 steps for energy savings

††All motors are 1550 rpm.

†††Throw is the distance air moves until its velocity reduces to 50 fpm.

JOB:	TITLE SERIES BTUH ELECTRIC UNIT HEATER Submittal Data Sheet	 <small>11880 CORSETT ROAD, MARYLAND HEIGHTS, MISSOURI 63043 (314) 291-0440</small>
CONTRACTOR:		
ENGINEER:		
DATE:	CERTIFIED PRINT NO. Page 1 of 2	

accessories

TABLE 2: TEMPERATURE CONTROL KITS* AND OPTIONS

CAT. NO.	MOUNTING	RANGE	DUTY	RATINGS	FEATURES
TK-1	Integral	40-100 F	Line/Pilot	24-277V	SPST Thermostat Kit
TK-11	Integral/Wall	Sum/Wint.	Pilot	24-277V	SPDT Summer Ventilation Override Switch
TK-16	Integral	40-100 F	Pilot	24-277V	Econowatt Thermostat Kit Use with 2 Stage Wall Thermostat
Suffix-FM	Integral	---	---	---	For Factory Mounted Thermostat Kit (i.e. TK-1FM)
Suffix-24	Integral	---	Low Volt	24V	Transformer converts 208, 240 & 277V to 24V control
Suffix-2S	Integral	---	Two Stage	---	Convert 1 Step Heater to 2 Steps (Not available on 3KW-10)
Suffix-DS	Integral	---	UL	---	Disconnect Switch, Non-fused, Interlocking, conforms to NEC

*CONSULT FACTORY OR REPRESENTATIVE FOR VARIETY OF REMOTE THERMOSTATS

TABLE 3: DIFFUSER KITS AND SCREENS

CAT. NO.	FOR USE WITH	DESCRIPTION
CD-3	ALL BTUH	Diffuser Kit, Cone Type for Vertical Discharge
LD-3	ALL BTUH	Diffuser Kit, Four-Way Louvers
RD-3	ALL BTUH	Diffuser Kit, Radial Type for Vertical Discharge
AS-3	ALL BTUH	Anti-Bird Screen, Meets OSHA requirements, Factory Mounted

TABLE 4: MOUNTING HARDWARE KITS

CAT. NO.	FOR USE WITH	DESCRIPTION
WB-3	BTUH	Wall Mount Assembly Kit for Horizontal Discharge—Wall and Swivel Brackets
SB-3	BTUH	Ceiling Mount Swivel Bracket Kit for Horizontal Discharge
TR-3	BTUH	Rod Hanger Kit—Four 5/16" 18x24" Threaded Rods

- CABINET—Heavy duty welded steel, neutral grey oven baked epoxy finish.
- MOUNTING—Interchangeable; horizontal or vertical discharge 360° rotation.
- SUPPLY CONNECTION—single.
- MOTOR—Non-Ventilated, built-in automatic reset overload protection.
- ELEMENTS—Corrosion protected, finned tubular type with brazed elements.
- DOUBLE SAFETY PROTECTION.
- SERVICE COMPARTMENT—Hinged door for easy access to components.
- FAN—Draw-thru design assures even air distribution.
- LOUVERS—Individually adjustable.
- THERMOSTAT—Optional; knob adjustment, integral or remote wall mounted.
- UL listed under File No. E61887.
- FAN DELAY—Recirculates residual heat from ceiling to floor for maximum energy saving. Provided in 5 KW and larger units.

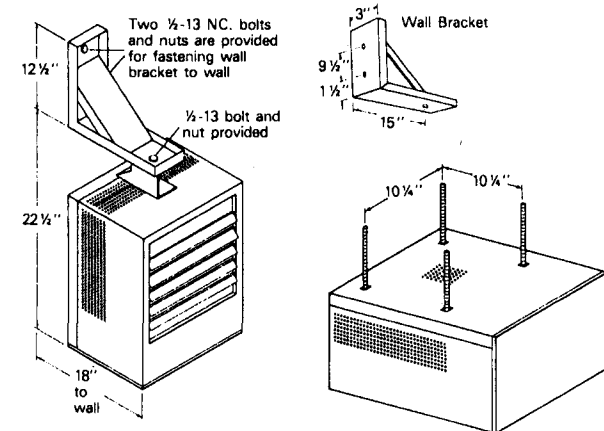


FIGURE 1: BTUH Mounting

FORM I-404H

Notes:	JOB:	TITLE SERIES BTUH ELECTRIC UNIT HEATER Submittal Data Sheet	 1188 DORSETT ROAD, ... MARYLAND HEIGHTS, MISSOURI 63043- ... *1314)291-0440
	CONTRACTOR:		
	ENGINEER:		
	DATE:		
		CERTIFIED PRINT NO. Page 2 of 2	

Brasch Mfg. Co., Inc.